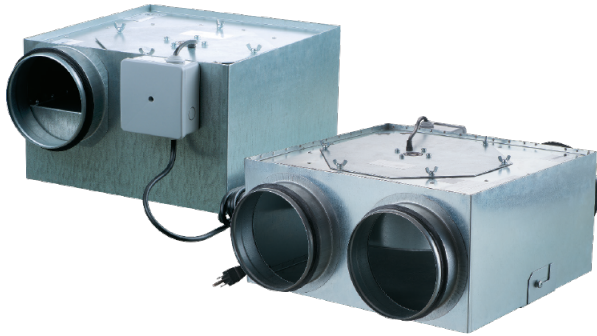


# VKP 150/150\*2

VKP/VKPF fans are specially designed for extract and input ventilation and are perfect air movement solution for areas with tight spaces

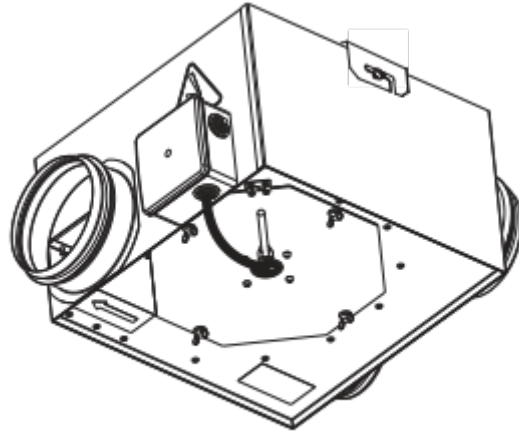
- Motor type: AC
- Impeller type: Centrifugal backward curved blades
- Casing material: Coated steel
- Installation in any position
- Sound pressure level LpA at 10 ft: 4.2



	Unit of measurement	VKP 150/150*2	
Connected air duct size	in	6"	6"
Speed	-	1	
Minimum supply voltage	V	120	
Maximum supply voltage	V	120	
Power supply frequency	Hz	60	
Rated power	W	119	
Maximum unit current	A	1	
Maximum performance @0.1"	CFM	360	
Ingress protection rating	-	IPX4	
Sound pressure level LpA at 10 ft	Sones	4.2	

## Dimensions

ØD	ØD1	A	L	B	H
6"	6"	19 19/64"	18 3/16"	15 7/16"	7 1/2"



Twin intake fan

