

VS 315 EC

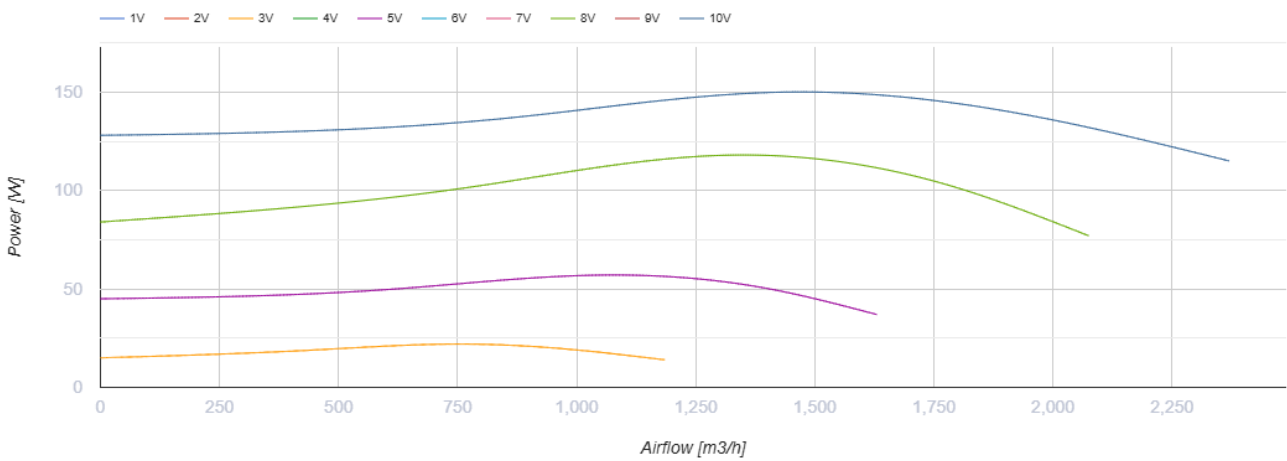
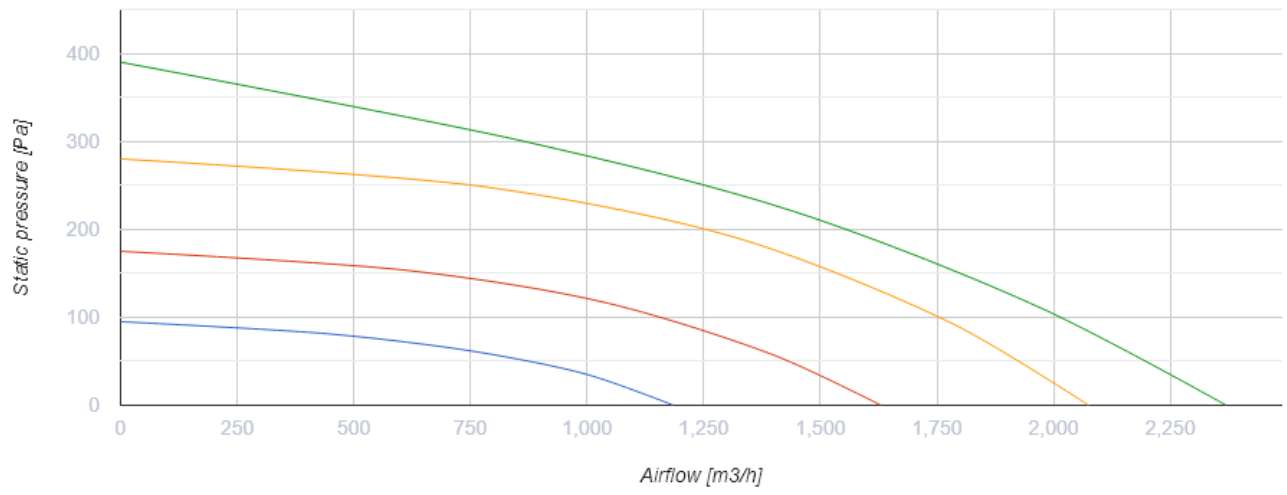
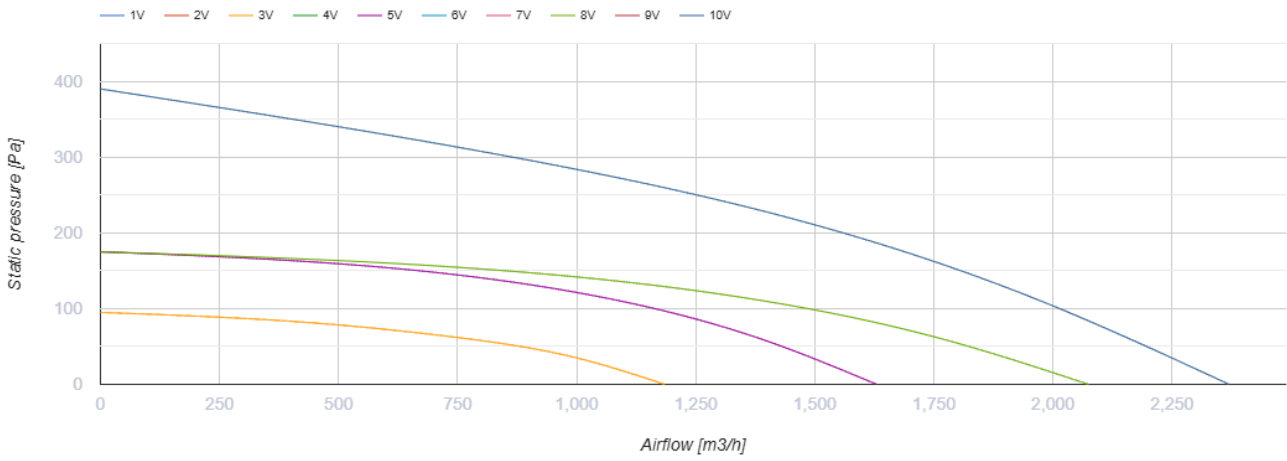


Centrifugal inline fans in sound-insulated casings with EC-motors

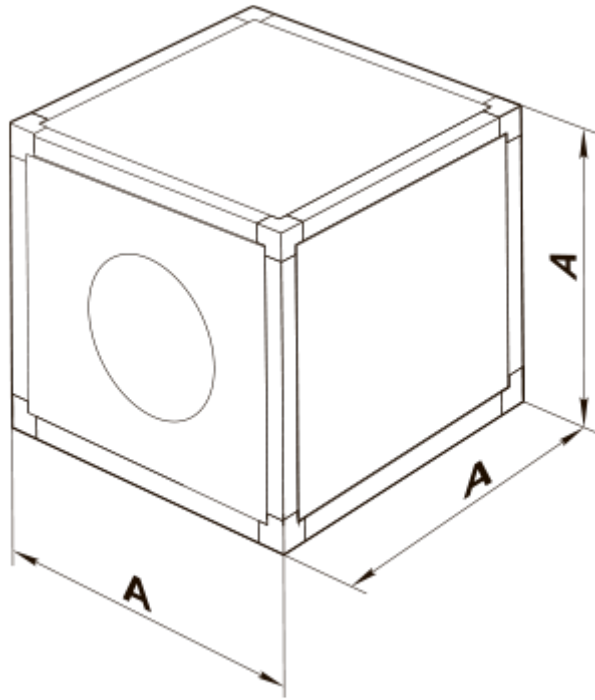
- Sound pressure level LpA at 3 m: 39
- Sound pressure level LpA at 3 m: 39
- Sound insulation
- Motor type: EC
- Impeller type: Centrifugal impeller with backward curved blades
- Casing material: Aluzinc
- Installation in any position

	Unit of measurement	VS 315 EC
Connected air duct size	mm	315
Speed	-	1
Phases	-	1
Minimum supply voltage	V	200
Maximum supply voltage	V	240
Power supply frequency	Hz	50/60
Rated power	W	121
Rated power	W	121
Unit current	A	0.93
Maximum unit current	A	0.93
Maximum airflow	m ³ /h	
Maximum airflow	m ³ /h	
Maximum performance @0.1"	CFM	1295
rotation speed at 50hz	-	1600
rotation speed at 60hz	-	1600
Sound pressure level LpA at 3 m	dB(A)	39
Sound pressure level LpA at 3 m	dB(A)	39
Weight	kg	0
Transported air temperature (max)	°C	80
Transported air temperature (min)	°C	-40
Ingress protection rating	-	IPX5

Ingress protection rating of the drive	-	IPX4
--	---	------



Dimensions



Ecodesign

Trademark	Vents
Model	VS 315 EC
Type of drive installed	Integrated VSD
Type of heat recovery system	None
Nominal flow rate (m ³ /s)	0.404
Nominal external pressure (Pa)	223
Maximum external leakage rates (%)	2.7
Static efficiency (%)	70.2
Effective electric power input (kW)	0.15
Sound power level (dB(A))	55
Declared typology	NRVU UVU