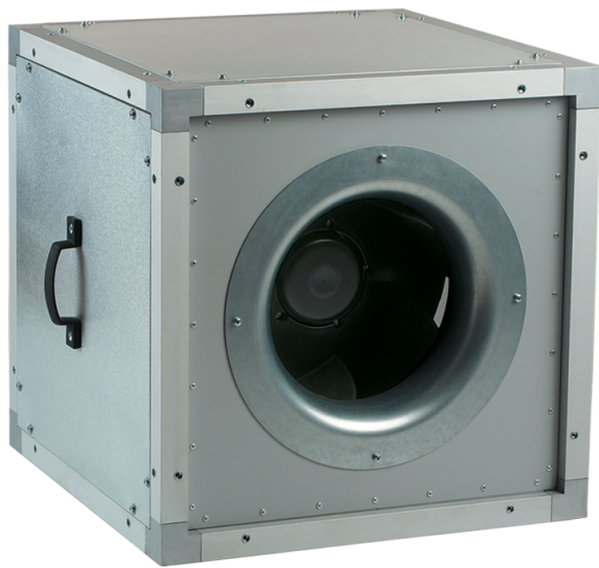


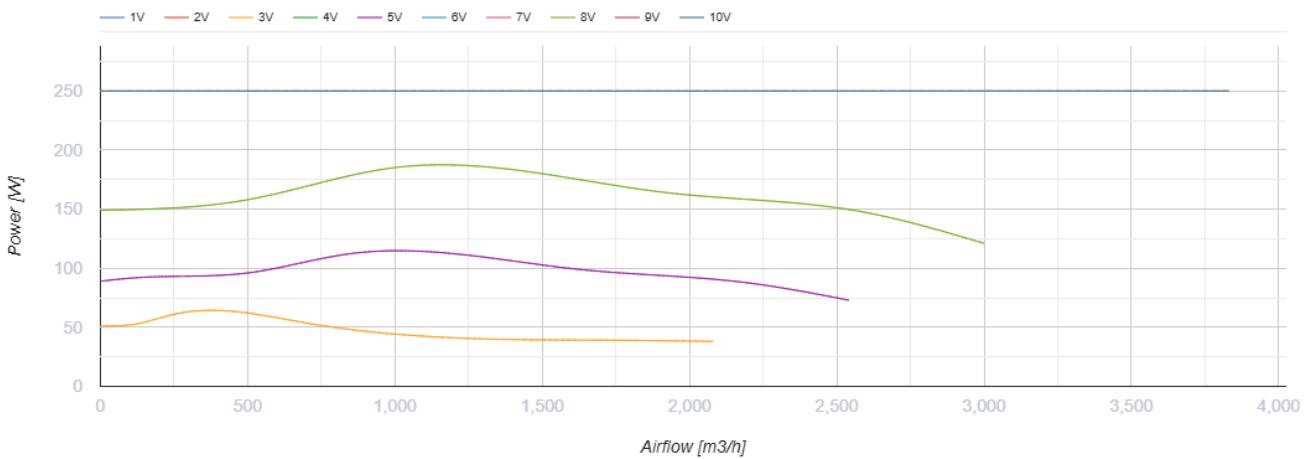
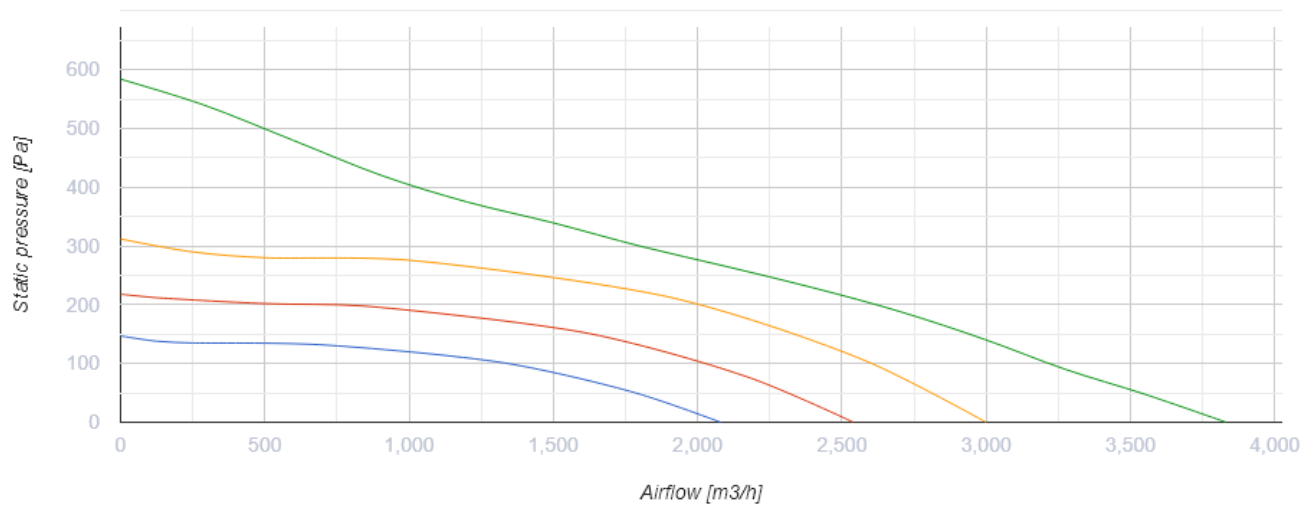
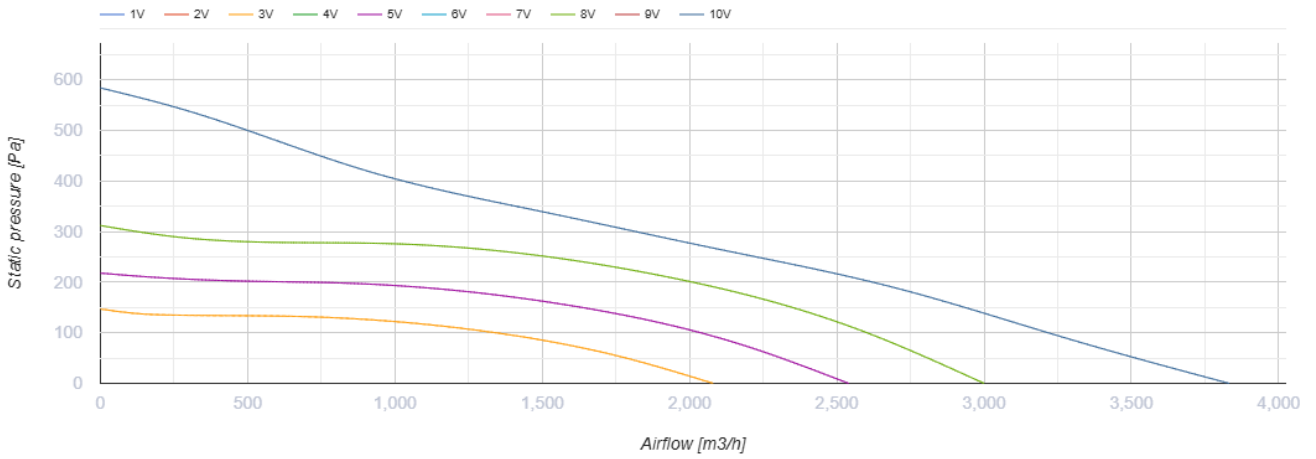
VS 355 EC



Inline centrifugal fans in heat- and sound-insulated casing

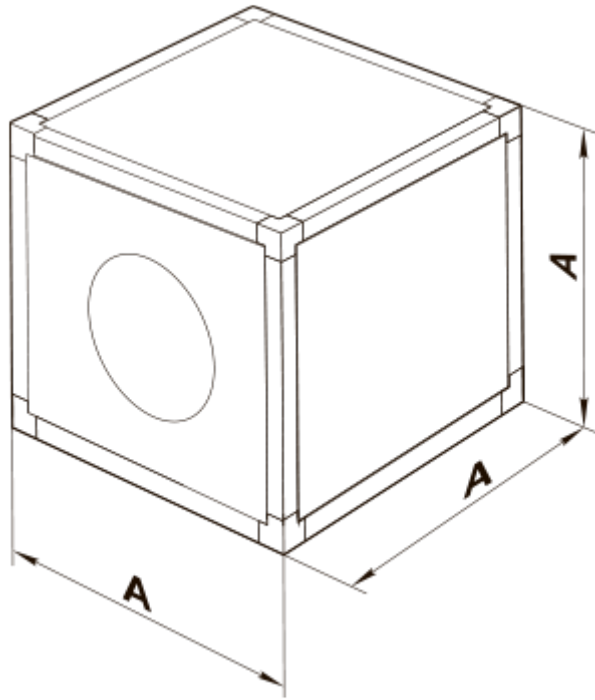
- Maximum airflow: 3830
- Maximum airflow: 3830
- Sound pressure level LpA at 3 m: 44
- Sound pressure level LpA at 3 m: 44
- Sound insulation
- Motor type: EC
- Impeller type: Centrifugal impeller with backward curved blades
- Casing material: Aluzinc
- Installation in any position

	Unit of measurement	VS 355 EC
Connected air duct size	mm	355
Speed	-	1
Minimum supply voltage	V	200
Maximum supply voltage	V	277
Power supply frequency	Hz	50/60
Rated power	W	250
Rated power	W	250
Unit current	A	1.1
Maximum unit current	A	1.1
Maximum airflow	m ³ /h	3830
Maximum airflow	m ³ /h	3830
Sound pressure level LpA at 3 m	dB(A)	44
Sound pressure level LpA at 3 m	dB(A)	44
Weight	kg	29.3
Transported air temperature (max)	°C	60
Transported air temperature (min)	°C	-25
Ingress protection rating	-	IPX4



Dimensions

A
500



Ecodesign

Trademark	Vents
Model	VS 355 EC
Type of drive installed	Integrated VSD
Type of heat recovery system	None
Nominal flow rate (m ³ /s)	0.467
Nominal external pressure (Pa)	315
Maximum external leakage rates (%)	2.7
Static efficiency (%)	67.8
Effective electric power input (kW)	0.25
Sound power level (dB(A))	64
Declared typology	NRVU UVU