

# VS 500 EC

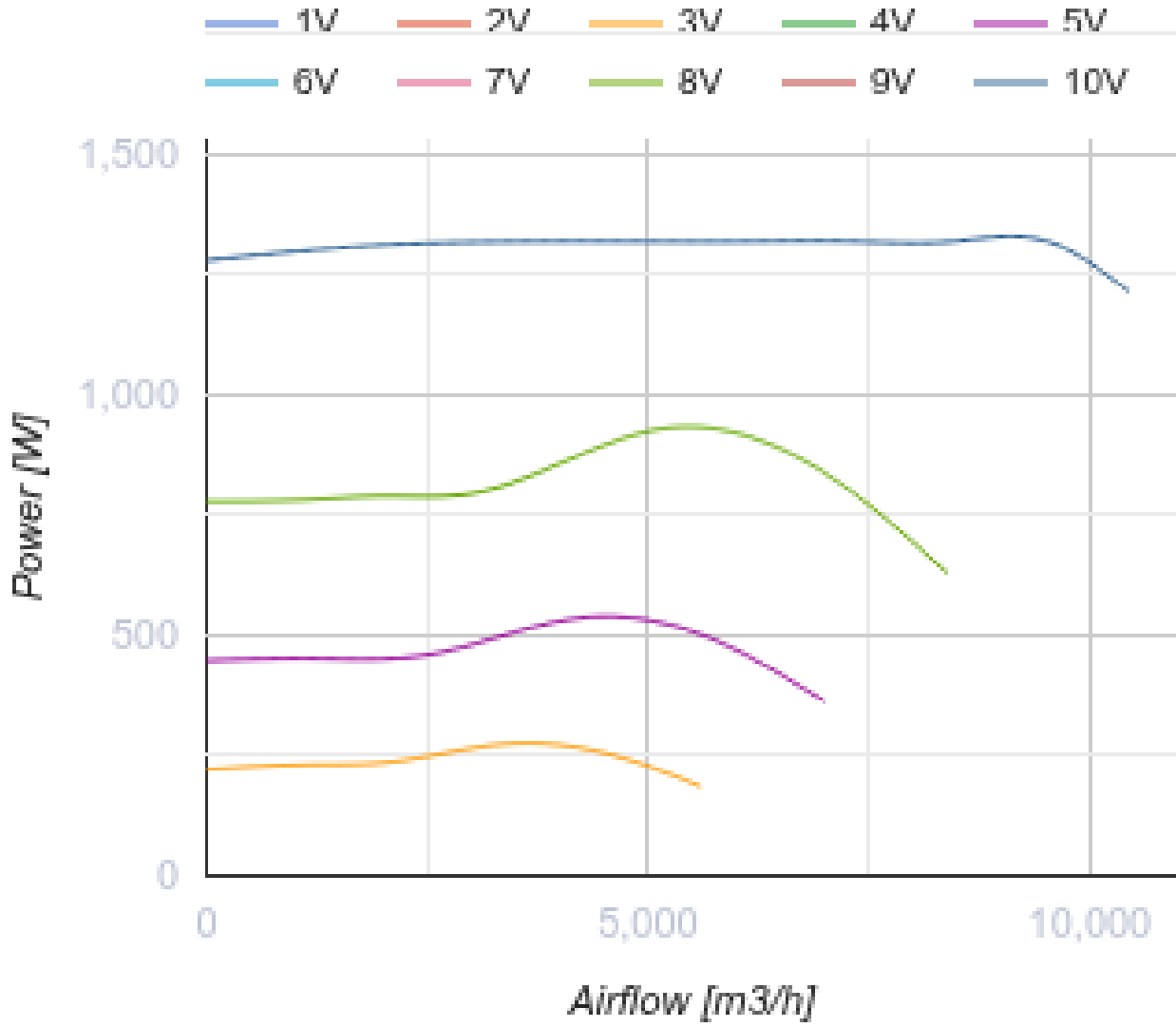


Centrifugal inline fans in sound-insulated casing with EC-motors

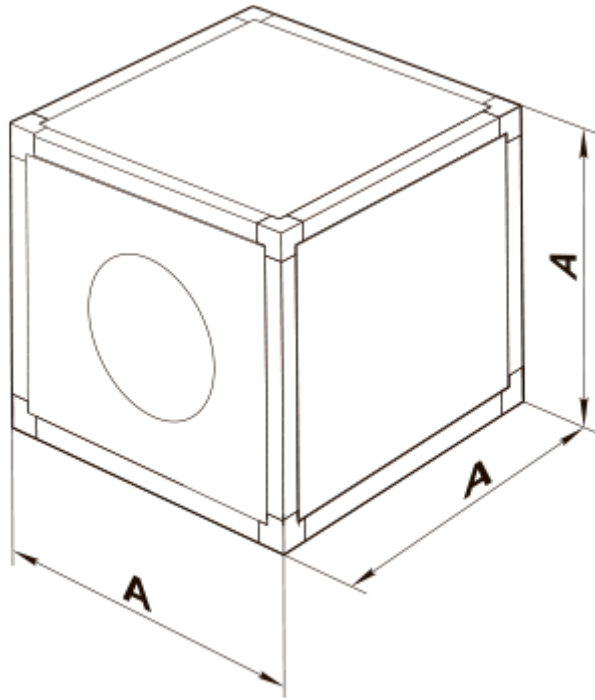
- Sound pressure level LpA at 3 m: 45
- Sound pressure level LpA at 3 m: 45
- Sound-insulated casing
- Impeller type: Centrifugal impeller with backward curved blades
- Casing material: Aluzinc
- Installation in any position

	Unit of measurement	VS 500 EC
Phases	-	3
Minimum supply voltage	V	380
Maximum supply voltage	V	480
Power supply frequency	Hz	50/60
Rated power	W	1320
Rated power	W	1320
Unit current	A	2.2
Maximum unit current	A	2.2
Max Rated Airflow: CFM @ 0.1 in. w.g.	CFM	6150
rotation speed at 50hz	-	1650
Rotation speed at 60hz	-	1650
Sound pressure level LpA at 3 m	dB(A)	45
Sound pressure level LpA at 3 m	dB(A)	45
Transported air temperature (max)	°C	50
Transported air temperature (min)	°C	-25
Ingress protection rating	-	IPX5
Ingress protection rating of the drive	-	IPX4
Impeller material	-	Plastic





**Dimensions**



## Ecodesign

Trademark	Vents
Model	VS 500 EC
Type of drive installed	Integrated VSD
Type of heat recovery system	None
Nominal external pressure (Pa)	534
Maximum external leakage rates (%)	2.7
Static efficiency (%)	58.5
Declared typology	NRVU UVU
Effective electric power input (kW)	1.32
Sound power level (dB(A))	65