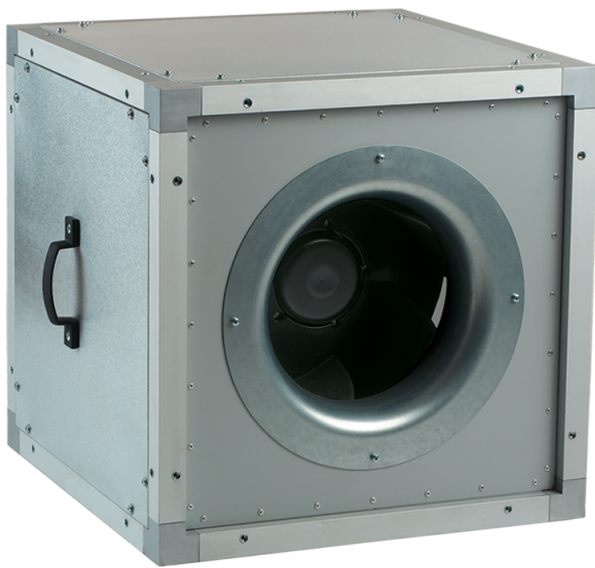


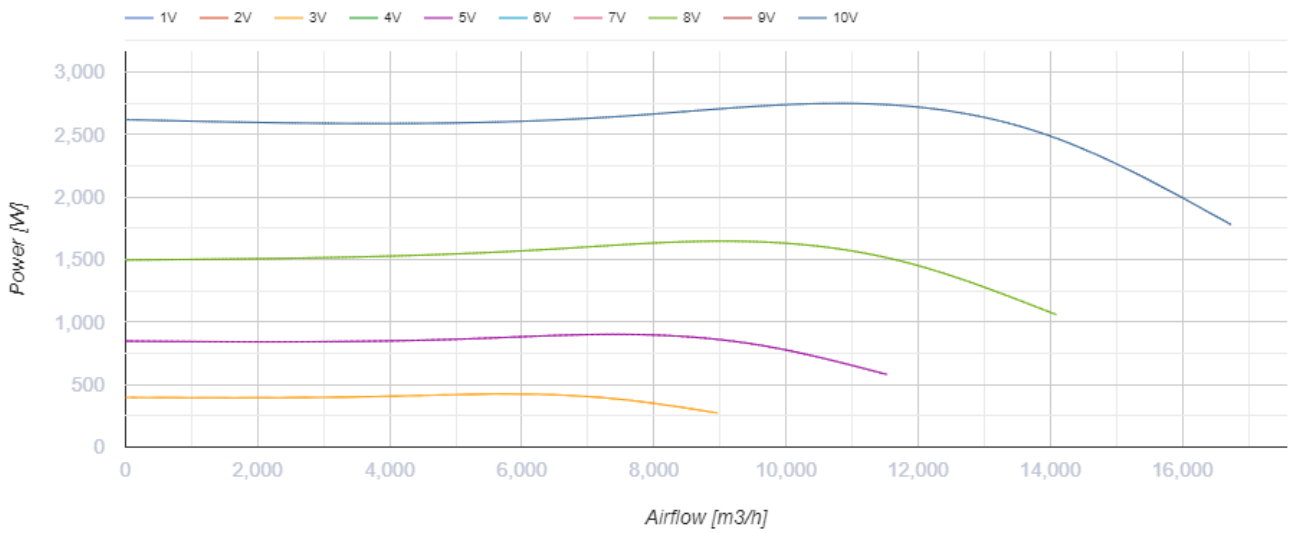
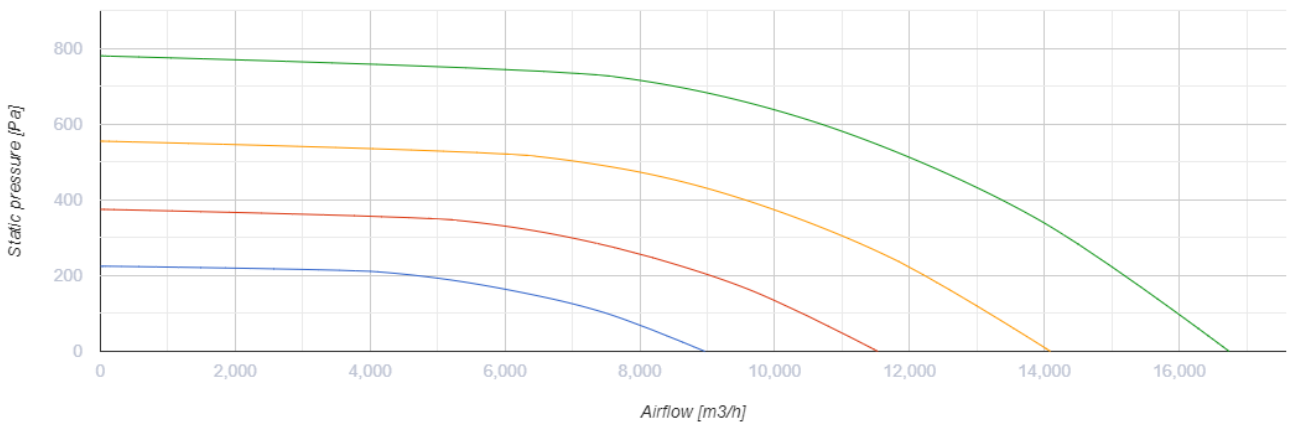
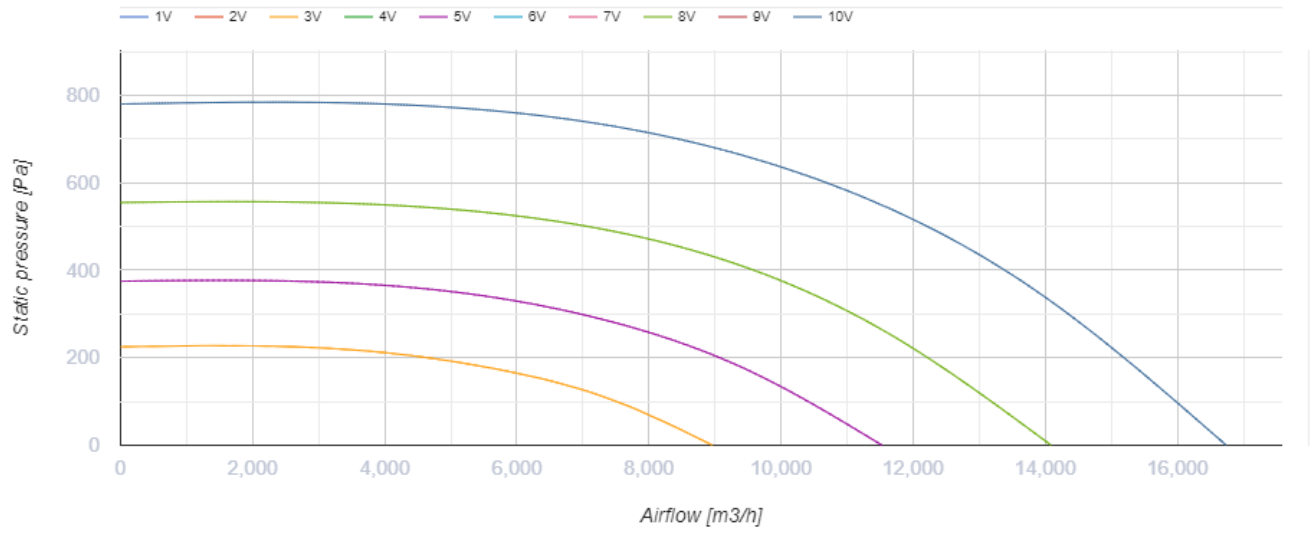
VS 630 EC



Inline centrifugal fans in heat- and sound-insulated casing

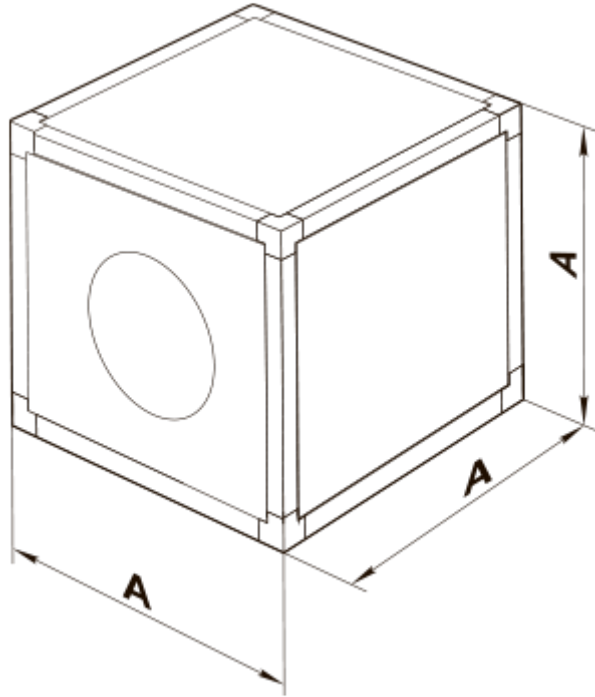
- Maximum airflow: 16740
- Maximum airflow: 16740
- Sound pressure level LpA at 3 m: 50
- Sound pressure level LpA at 3 m: 50
- Sound insulation
- Motor type: EC
- Impeller type: Centrifugal impeller with backward curved blades
- Casing material: Aluzinc
- Installation in any position

	Unit of measurement	VS 630 EC
Connected air duct size	mm	630
Speed	-	1
Minimum supply voltage	V	380
Maximum supply voltage	V	480
Power supply frequency	Hz	50/60
Rated power	W	2750
Rated power	W	2750
Unit current	A	4.3
Maximum unit current	A	4.3
Maximum airflow	m ³ /h	16740
Maximum airflow	m ³ /h	16740
Sound pressure level LpA at 3 m	dB(A)	50
Sound pressure level LpA at 3 m	dB(A)	50
Weight	kg	69
Transported air temperature (max)	°C	55
Transported air temperature (min)	°C	-25
Ingress protection rating	-	IPX4



Dimensions

A
800



Ecodesign

Trademark	Vents
Model	VS 630 EC
Type of drive installed	Integrated VSD
Type of heat recovery system	None
Nominal flow rate (m ³ /s)	3.014
Nominal external pressure (Pa)	601
Maximum external leakage rates (%)	2.7
Static efficiency (%)	71.1
Effective electric power input (kW)	2.75
Sound power level (dB(A))	70
Declared typology	NRVU UVU