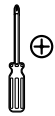


INSTALLATION GUIDE

**CLAMPS
SERIES C**
C 100
C 125
C 150
C 160
C 200
C 250
C 315



INSTALLATION



Screwdriver



Screws, 1 pcs.



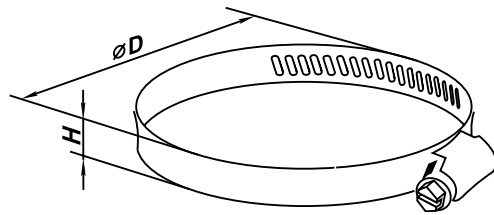
Scissors

C SERIES

Clamps are made of stainless steel strips. The clamps are tightened with screws.

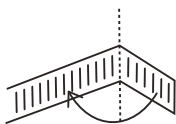
DIMENSIONS

Model	Ø D	H
C100	3 9/16"-4 5/16"	3/8'
C 125	4 5/16"-5 1/8"	3/8'
C 150	5 1/2"-6 5/16"	3/8'
C 160	5 7/8"-6 11/16"	3/8'
C 200	7 1/2"-8 1/4"	3/8'
C 250	9 7/16"-10 1/4"	3/8'
C 315	11 13/16"-13"	3/8'

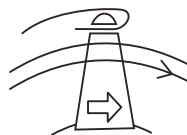


APPLICATION

1. Bend the clamp edge.



2. Fix the bent edge of the band into the band holder.



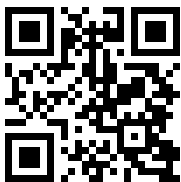
3. Turn the band holder till the mark of the required



4. Cut the band away as applicable for the casing.



5. Fix the locking device on the clamp.



vents-us.com

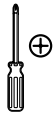
Vents-US
400 Murray Road, Cincinnati, OH 45217, USA
Tel: 1-888-640-0925, 513-583-5786, Fax: 513-268-4597
E-mail: support@ventsus.com

INSTALLATION GUIDE

CLAMPS
SERIES CZ
 CZ 100
 CZ 125
 CZ 150
 CZ 160
 CZ 200
 CZ 250
 CZ 315



INSTALLATION



Screwdriver



Screws M6x60 (1/4"-20 UNC), 2 pcs.

CZ SERIES

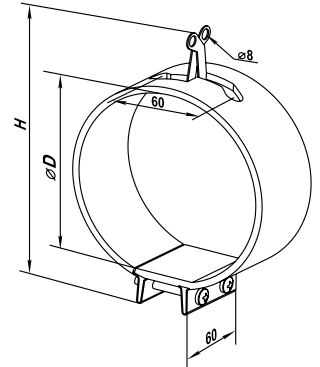
Clamps are made of galvanized steel strip sealed on one side with microporous rubber for the better airtight characteristics and vibration damping. The quick-detachable clamps are tightened with two bolts.

MOUNTING

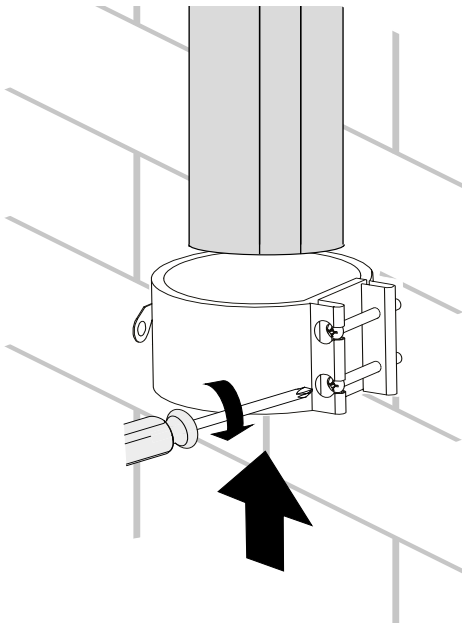
Before installing the clamp, they are bred in the sides of the ears so that they can easily clasp the pipe. In this case, the rubber gasket should overlap the location of the pipe defect. If everything was measured correctly, then between the ears should remain no more than three centimeters. This distance will necessarily decrease in the process of tightening the clamp screws, and this process continues until it is possible to press the rubber sealant to the pipe as tightly as possible.

DIMENSIONS

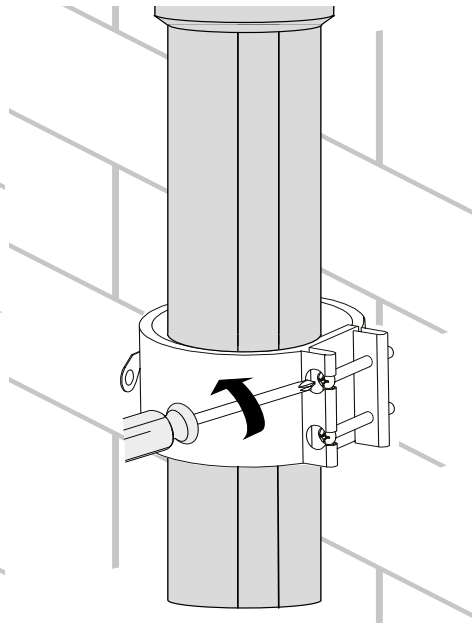
Model	Ø D	H
CZ 100	3 9/16"-4 5/16"	6 3/4"
CZ 125	4 5/16"-5 1/8"	7 13/16"
CZ 150	5 1/2"-6 5/16"	8 13/16"
CZ 160	5 7/8"-6 11/16"	9 1/8"
CZ 200	7 1/2"-8 1/4"	10 13/16"
CZ 250	9 7/16"-10 1/4"	12 13/16"
CZ 315	11 13/16"-13"	14 15/16"



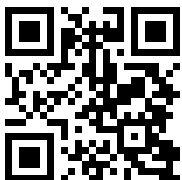
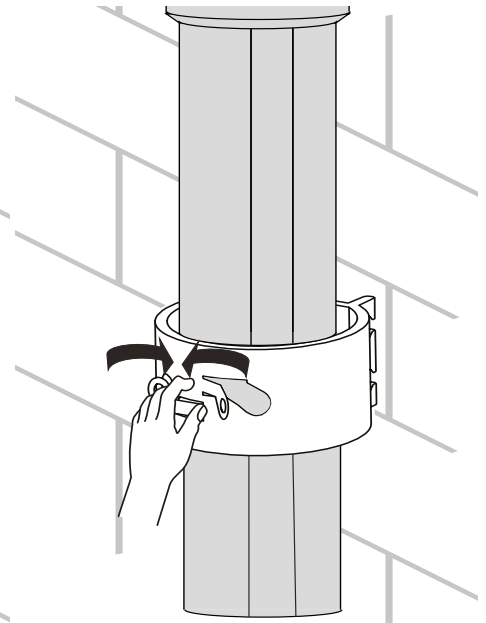
1. Install the hose clamp on the pipe.



2. Tighten the screws.



3. Bring the ears of the clamp together.



vents-us.com

Vents-US
 400 Murray Road, Cincinnati, OH 45217, USA
 Tel: 1-888-640-0925, 513-583-5786, Fax: 513-268-4597
 E-mail: support@ventsus.com

MIU_64(C_CZ_series)-01