


DESCRIPTION

VENTS VKM inline centrifugal duct fans are designed for residential and commercial ventilation applications. The fan's housing is made of steel with polymer coating. The quiet and efficient backward curved impeller is capable of operating in high pressure systems. In-line configuration simplifies installation. All VKM models are designed for standard diameter round ducting. VENTS VKM inline duct fans can eliminate many ventilation problems. They are designed to boost airflow through long or complex duct runs and provide ideal solutions for residential and commercial applications. VENTS VKM sizes range from 4" to 18" with airflows ranging up to 3716 CFM. The VKM series fans are specifically for simple installation and maintenance free operation.

CASING

Fans have a housing made of steel with polymer coating.

MOTOR

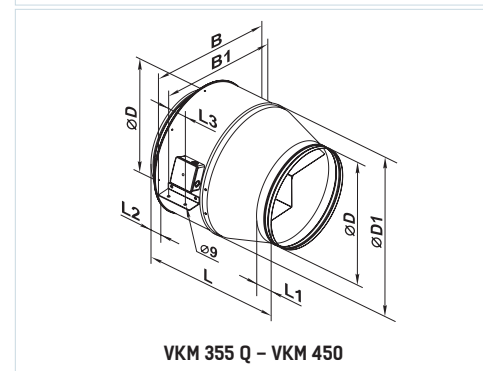
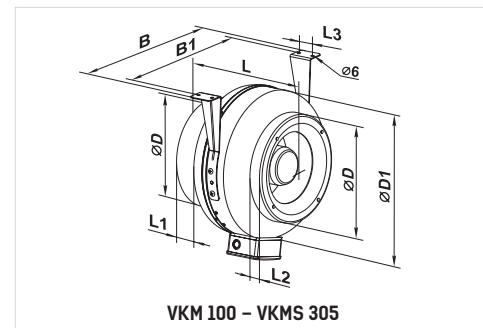
Motors are supplied with automatic reset thermal protection and are equipped with ball bearings for longer service life (40,000 hrs). Suitable for air stream temperature from -13 °F to 105 °F.

SUITABLE FOR:

Bathroom exhaust; kitchen ventilation; living area; whole house ventilation; workshops & smoking areas; offices; bars & restaurants; warehouses; duct boosting.

DIMENSIONS

Model	Measurements [in.]								Duct dia
	Ø D	Ø D1	B	B1	L	L1	L2	L3	
VKM 100	3 15/16"	10"	11 3/4"	10 3/16"	8 1/16"	13/16"	1"	1 3/16"	4"
VKM 125	4 15/16"	10"	11 3/4"	10 3/16"	8 1/16"	13/16"	1"	1 3/16"	5"
VKM 150 E	5 7/8"	11 15/16"	13 3/4"	12 3/16"	8 11/16"	1"	1"	1 3/16"	6"
VKM 150	5 7/8"	11 15/16"	13 3/4"	12 3/16"	8 11/16"	1"	1"	1 3/16"	6"
VKM 200 E	7 7/8"	13 9/16"	15 3/8"	13 3/4"	9 7/8"	1"	1 1/8"	1 9/16"	8"
VKM 200	7 7/8"	13 9/16"	15 3/8"	13 3/4"	9 7/8"	1"	1 1/8"	1 9/16"	8"
VKMS 200	7 7/8"	13 9/16"	15 3/8"	13 3/4"	9 7/8"	1"	1 1/8"	1 9/16"	8"
VKM 250 E	9 13/16"	13 9/16"	15 3/8"	13 3/4"	9 3/16"	1"	1 1/4"	1 9/16"	10"
VKM 250	9 13/16"	13 9/16"	15 3/8"	13 3/4"	9 3/16"	1"	1 1/4"	1 9/16"	10"
VKM 305 E	12"	15 7/8"	17 3/4"	16 5/16"	10 1/4"	15/16"	1 3/16"	1 9/16"	12"
VKM 305	12"	15 7/8"	17 3/4"	16 5/16"	10 1/4"	15/16"	1 3/16"	1 9/16"	12"
VKMS 305	12"	15 7/8"	17 3/4"	16 5/16"	10 1/4"	15/16"	1 3/16"	1 9/16"	12"
VKM 355 Q	13 7/8"	18 1/8"	20 9/16"	20 9/16"	19 15/16"	2 3/8"	2 3/8"	2 3/4"	14"
VKM 400	15 11/16"	22 7/16"	26 1/8"	24 15/16"	22 7/16"	2 3/8"	2 3/8"	2 3/4"	16"
VKM 450	17 5/8"	23 15/16"	27 9/16"	26 3/8"	25 3/8"	2 3/8"	2 3/8"	3 1/8"	18"



PERFORMANCE

Model	Duct Dia.	Energy Star Compliant	Current* [Amp]	Power* [W]	Sones	RPM*	Max. Ps	CFM vs. Static Pressure [Ps] in.W.G.											Volt/Hz
								0"	0.1"	0.2"	0.3"	0.4"	0.5"	0.6"	0.7"	0.8"	0.9"	1"	
VKM 100	4"	No	0.90	108	2.5	3000	2.13	174	168	162	155	150	142	135	127	120	115	105	120/60
VKM 125	5"	No	0.62	73	3.3	2663	1.83	228	214	200**	185	174	160	146	136	124	113	102	120/60
VKM 150 E	6"	Yes	0.44	51	3.5	3036	1.475	254	239	225	208	191	175	160	145	130	110	93	120/60
VKM 150	6"	No	1.28	150	4.3	2781	2.6	456	439	420**	399	378	357	335	316	295	275	255	120/60
VKM 200 E	8"	Yes	0.75	89	4.2	3288	1.925	445	425	405	388	368	350	330	311	292	272	252	120/60
VKM 200	8"	No	1.72	201	4.6	2335	2.8	599	566	530**	482	440**	405	372**	337	310	284	261**	120/60
VKMS 200	8"	No	2.14	240	4.7	2745	2.80	657	643	632	617	605	590	575	559	540	520	498	120/60
VKM 250 E	10"	Yes	1.20	144	4.7	2832	2.375	680	662	631	601	580	535	492	447	405	362	323	120/60
VKM 250	10"	No	1.98	229	4.6	2374	2.9	687	648	610**	566	525**	477	441**	405	375	338	315**	120/60
VKM 305 E	12"	Yes	1.22	146	4.9	2772	2.30	695	660	625	597	565	520	470	423	385	350	315	120/60
VKM 305	12"	No	1.91	219	5.7	2647	3.0	740	712	680**	642	606**	562	521**	474	435	400	371**	120/60
VKMS 305	12"	No	2.42	272	6.1	2320	3.65	985	930	890	845	810	773	735	700	660	627	594	120/60
VKM 355 Q	14"	No	1.3	297	8	1620	2.05	1390	1320	1248	1201	1177	1118	1001	765	530	333	175	220/60
VKM 400	16"	No	3.05	673	9.8	1585	2.81	2071	2050	1989	1972	1913	1854	1700	1589	1413	1236	294	220/60
VKM 450	18"	No	5.4	1250	12	1560	2.9	3716	3630	3531	3470	3414	3296	3060	2825	2578	2295	706	220/60

* The parameters RPM, Watts, Amps are indicated at 0.2 in WG static pressure.

**HVI rated.

MODEL	QUANTITY	COMMENTS	PROJECT
			location:
			architect:
			engineer:
			contractor:
			submitted by:

Tel: 888-640-0925
Fax: 513-268-4597

Sales@ventsus.com
VentsUS.com
400 Murray Rd,
Cincinnati, OH 45217


HARDI

2023-08