

## VK...P SERIES

WITH SPEED CONTROL



### BENEFITS

- Bathroom exhaust
- Kitchen ventilation
- Living area
- Whole house ventilation
- Duct boosting
- Workshops & smoking areas
- Offices
- Bars & Restaurants

### BUILT-IN SMOOTH SPEED CONTROL

The built-in speed controller allows you to create controlled ventilation based on your needs and reduce Audible Noise, Power Consumption and increase Lifetime fans.

### BUILT-IN SMOOTH SPEED CONTROL

- Sizes available from 4"-12<sup>3/8</sup>"
- High static pressure applications
- Built-in speed control knob
- Quiet external rotor motor with thermal overload protection
- Ideal for long duct runs
- Quiet and powerful
- Vibration-free operation
- Energy efficient
- Maintenance free
- Easy installation
- Corrosion resistant

### BUILT-IN SMOOTH SPEED CONTROL

- Sizes available from 4"-12<sup>3/8</sup>"
- High static pressure applications
- Built-in speed control knob
- Quiet external rotor motor with thermal overload protection
- Ideal for long duct runs
- Quiet and powerful
- Vibration-free operation
- Energy efficient
- Maintenance free
- Easy installation
- Corrosion resistant
- Durable, UV resistant plastic (UL94 certified plastic)
- Pre-wired and supplied with mounting bracket for easy installation
- ETL listed

### DESCRIPTION

The VENTS VK...P Series duct mounted centrifugal inline fans are suitable for a wide range of residential and commercial exhaust or supply air applications, such as bathrooms, kitchens, restaurants or equipment cooling.

The fans are fitted with backward curved centrifugal impeller driven by powerful sealed external rotor motor with lifelong bearings and thermal protection. This powerful combination enables the VENTS VK...P fans to deliver exceptional airflow performances and high static pressure. The fans' casing is made of high quality UV resistant plastic (UL94 certified plastic). The VENTS VK...P fans have been specifically designed for simple installation and many years of maintenance-free operation.

The VENTS VK...P series fans have built-in speed controller for smooth impeller rotation speed.



Tel: 888-640-0925  
Fax: 513-268-4597

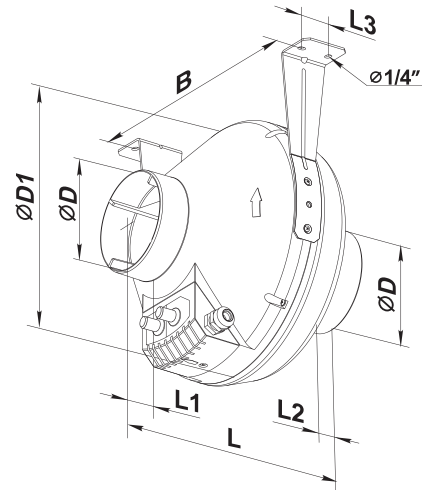
Sales@ventsus.com  
VentsUS.com  
400 Murray Rd,  
Cincinnati, OH 45217



**HARDI**

**DIMENSIONS**

| Model    | Measurements [in.] |           |           |          |         |         |         | lbs  |
|----------|--------------------|-----------|-----------|----------|---------|---------|---------|------|
|          | ØD                 | ØD1       | B         | L        | L1      | L2      | L3      |      |
| VK 100 P | 3 15/16"           | 9 13/16"  | 10 5/8"   | 9 1/16"  | 1 3/16" | 1 1/16" | 1 3/16" | 4.7  |
| VK 125 P | 4 15/16"           | 9 13/16"  | 10 5/8"   | 8 11/16" | 1 3/16" | 1 1/16" | 1 3/16" | 4.9  |
| VK 150 P | 5 7/8"             | 11 13/16" | 12 3/16"  | 11 1/4"  | 1 3/16" | 1 3/16" | 1 3/16" | 5.7  |
| VK 200 P | 7 7/8"             | 13 3/8"   | 13 15/16" | 10 7/8"  | 1 3/16" | 1 3/16" | 1 9/16" | 8.8  |
| VK 250 P | 9 13/16"           | 13 3/8"   | 13 15/16" | 10 7/16" | 1 3/16" | 1 3/16" | 1 9/16" | 9.9  |
| VK 315 P | 12 3/8"            | 15 3/4"   | 16 5/16"  | 16 5/16" | 1 9/16" | 2 3/16" | 1 9/16" | 11.2 |


**PERFORMANCE**

| Model    | Duct dia | Sones | RPM * | Watts * | CFM vs. Static Pressure (Ps) in WG |        |      |       |        |      |       |      |       |      | Volt / Hz |
|----------|----------|-------|-------|---------|------------------------------------|--------|------|-------|--------|------|-------|------|-------|------|-----------|
|          |          |       |       |         | 0"                                 | 0.125" | 0.2" | 0.25" | 0.375" | 0.5" | 0.75" | 1.0" | 1.25" | 1.5" |           |
| VK 100 P | 4"       | 2.3   | 2980  | 109     | 162                                | 155    | 150  | 147   | 141    | 134  | 120   | 104  | 87    | 67   | 120 / 60  |
| VK 125 P | 5"       | 7.1   | 2960  | 114     | 235                                | 222    | 214  | 207   | 193    | 178  | 151   | 123  | 99    | 72   | 120 / 60  |
| VK 150 P | 6"       | 2.7   | 2785  | 93      | 317                                | 300    | 289  | 282   | 265    | 247  | 212   | 178  | 132   | 68   | 120 / 60  |
| VK 200 P | 8"       | 3.5   | 2781  | 149     | 507                                | 481    | 465  | 455   | 423    | 395  | 343   | 287  | 238   | 189  | 120 / 60  |
| VK 250 P | 10"      | 4.3   | 2523  | 266     | 735                                | 699    | 675  | 658   | 625    | 558  | 507   | 432  | 369   | 307  | 120 / 60  |
| VK 315 P | 12 3/8"  | 4.1   | 2641  | 269     | 871                                | 817    | 779  | 758   | 703    | 635  | 501   | 393  | 324   | 266  | 120 / 60  |

\* The parameters RPM, Watts are indicated at 0.2 in WG static pressure.

**SPECIFICATION**

Voltage: 120 V, 60 Hz

Motor: Single-phase external rotor motor with backward curved centrifugal impellers

Duct compatibility: Ø4", 5", 6", 8", 10", 12 3/8"

Airflow capacity: up to 871 CFM

Sones: 2.3 – 4.3

Power consumption: 93 – 269 W

Suitable for working airstreams up to 149 °F

IPX4 protection

Thermal overload protection

Mounting bracket and power cord included