

MV 122 VK SERIES

VENT WALL CAPS



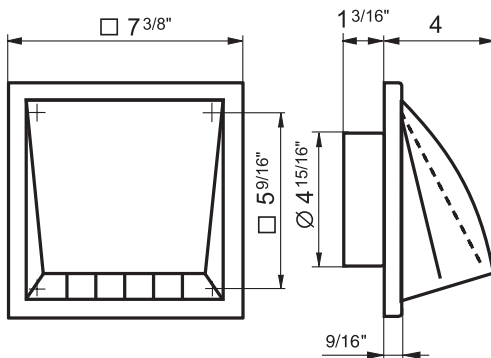
DESCRIPTION

Vent hood with back valve is especially designed for exhaust applications. Without back valve the wall hoods are suitable for both intake and exhaust application. The MV series vent hoods assure airtight seal. Recommended for dryer venting and for kitchen and bath fan exhausts. Removable cap. Built-in screen.

Easy screw mounting. Available in colors indicated in the color chart. Grilles are manufactured of ABS plastic (flame rating – 5VA).

MV 122 VK

Compatible with 5" diameter duct and includes removable back valve



Air pass 0.1292 Sq. Ft