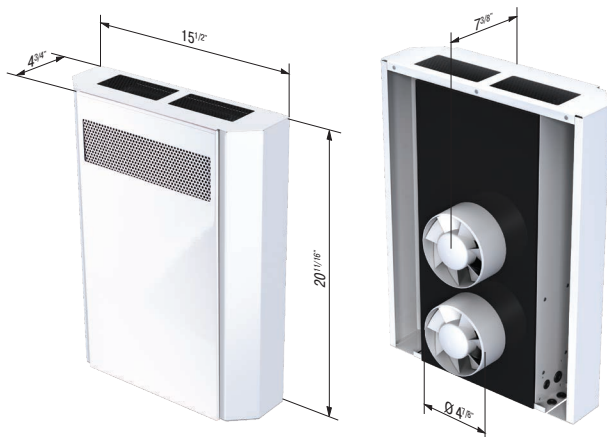


**DESCRIPTION**

Micra 60 is a single room heat recovery ventilator suitable for larger rooms, such as apartments or small commercial places. No need to connect to air ducts. It provides a great solution for simple and efficient single room heat recovery applications.

CASING

Polymer coated metal casing contains 9/16" thermal and sound insulating layer. The modern unit design matches any interior. Easy access to service the unit, to change or replace filter. Air is supplied to the room and exhausted outside through two 5" air ducts.

DIMENSIONS**SUITABLE FOR:**

Bathroom / kitchen / apartments / cottages / small offices

AIR FILTRATION

Two built in MERV 8 filters ensure the filtration of supply and extract air. The filters purify the air by removing contaminants, particles and prevent dust from entering the house.

MOTOR

Axial fans are powered by energy-efficient EC-motors. The motors are equipped with built-in thermal overheating protection and ball bearings for longer service life.

HEAT RECOVERY CORE

The ventilator is equipped with a high-tech plate counter-flow aluminum heat recovery core. Energy recovery efficiency is 79%. Using the MICRA in both cooling and heating seasons results in considerable energy savings.

FREEZE PROTECTION

Micra 60 includes a special thermostat, which prevents condensation from freezing.

CONTROL UNIT

The unit has integrated protection to safeguard the motor and circuit board against voltage jumps, short circuit or electrical overloads.

PERFORMANCE

Model	Speed	Voltage	Power [W]	Current [A]	Air capacity [CFM]	RPM	Sensible Recovery Efficiency	Sones	Ingress protection rating
Micra 60	1	100-240 V 50-60 Hz	4.2	0.02	17.7	1165	79	0.38	IP 22
	2		9.6	0.04	26.5	1720	74	0.42	
	3		15.4	0.07	35.3	2685	70	1.0	

MODEL	QUANTITY	COMMENTS	PROJECT
			location:
			architect:
			engineer:
			contractor:
			submitted by:

 Tel: 888-640-0925
 Fax: 513-268-4597

 Sales@ventsus.com
 VentsUS.com
 400 Murray Rd,
 Cincinnati, OH 45217
