



DESCRIPTION

Vent hoods with back valve are especially designed for exhaust applications. Without back valve the wall hoods are suitable for both intake and exhaust application. The MV series vent hoods assure airtight seal. Recommended for dryer venting and for kitchen and bath fan exhausts. Features removable cap and built-in screen. Easy screw mounting. Available in colors indicated in the color chart. Available colors: white, beige, brown, grey, mahogany, light oak.

MATERIALS:

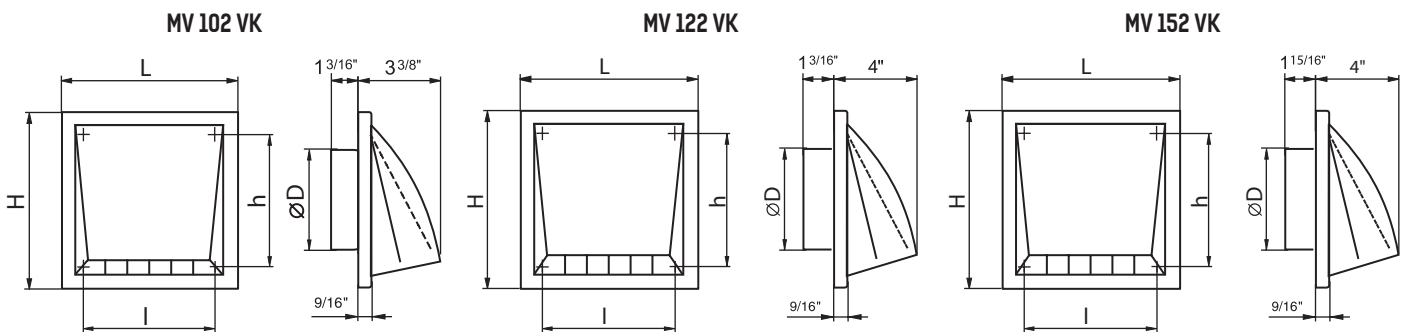
Grilles are manufactured of ABS plastic (flame rating – 5VA).

OPTIONS:

MV 102 VK: Compatible with 4" diameter duct and includes removable back valve.
 MV 122 VK: Compatible with 5" diameter duct and includes removable back valve.
 MV 152 VK: Compatible with 6" diameter duct and includes removable back valve.

DIMENSIONS

Model	Measurements [in.]				
	L	l	H	h	Ø D
MV 102 VK	6 1/16"	4 5/16"	6 1/16"	4 5/16"	3 15/16"
MV 122 VK	7 3/8"	5 9/16"	7 3/8"	5 9/16"	4 15/16"
MV 152 VK	7 5/16"	5 9/16"	7 5/16"	5 9/16"	5 7/8"



MODEL	QUANTITY	COMMENTS	PROJECT
			location:
			architect:
			engineer:
			contractor:
			submitted by: