

## VKM SERIES

For High Static Pressure Application



### DESCRIPTION

VENTS VKM inline centrifugal duct fans are designed for residential and commercial ventilation applications. The housing is made of steel with polymer coating. Efficient backward curved impeller is capable of operating in high pressure systems. In-line configuration simplifies installation. All VKM models are designed for standard diameter round ducting. VENTS VKM inline duct fans can eliminate many ventilation problems. They are designed to boost airflow through long or complex duct runs. Provide ideal solutions for residential and commercial applications. The most common uses are bathroom exhaust, range hood exhaust and duct boosting. VENTS VKM sizes range from 4" to 18", with airflows ranging up to 3716 CFM. The VKM series fans are specifically for simple installation and maintenance free operation.

### APPLICATIONS

- Bathroom exhaust
- Kitchen ventilation
- Living area
- Whole house ventilation
- Duct boosting
- Workshops & smoking areas
- Offices
- Bars & Restaurants
- Warehouses

### BENEFITS

- Energy Star compliant
- High air volume and static pressure applications
- Efficient, vibration free operation
- Durable and corrosion resistant casing
- Reliable external rotor motor
- Permanently lubricated ball bearing motor for maintenance free operation
- Automatic reset thermal overload protection
- Pre-wired and supplied with mounting bracket for easy installation
- Rated for continuous operation
- Strong construction for long life
- ETL listed
- HVI certified



Ventilation example based on VKM fan

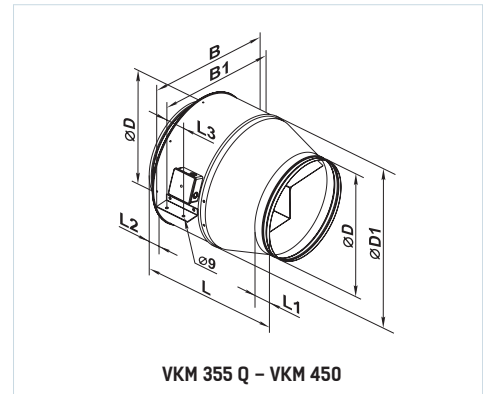
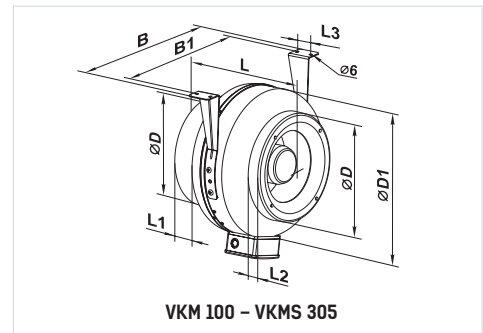
Tel: 888-640-0925  
Fax: 513-268-4597

Sales@ventsus.com  
VentsUS.com  
400 Murray Rd,  
Cincinnati, OH 45217



**DIMENSIONS**

| Model     | Measurements [in.] |           |          |           |           |        |         |         | Duct dia |
|-----------|--------------------|-----------|----------|-----------|-----------|--------|---------|---------|----------|
|           | Ø D                | Ø D1      | B        | B1        | L         | L1     | L2      | L3      |          |
| VKM 100   | 3 15/16"           | 10"       | 11 3/4"  | 10 3/16"  | 8 1/16"   | 13/16" | 1"      | 1 3/16" | 4"       |
| VKM 125   | 4 15/16"           | 10"       | 11 3/4"  | 10 3/16"  | 8 1/16"   | 13/16" | 1"      | 1 3/16" | 5"       |
| VKM 150 E | 5 7/8"             | 11 15/16" | 13 3/4"  | 12 3/16"  | 8 11/16"  | 1"     | 1"      | 1 3/16" | 6"       |
| VKM 150   | 5 7/8"             | 11 15/16" | 13 3/4"  | 12 3/16"  | 8 11/16"  | 1"     | 1"      | 1 3/16" | 6"       |
| VKM 200 E | 7 7/8"             | 13 9/16"  | 15 3/8"  | 13 3/4"   | 9 7/8"    | 1"     | 1 1/8"  | 1 9/16" | 8"       |
| VKM 200   | 7 7/8"             | 13 9/16"  | 15 3/8"  | 13 3/4"   | 9 7/8"    | 1"     | 1 1/8"  | 1 9/16" | 8"       |
| VKMS 200  | 7 7/8"             | 13 9/16"  | 15 3/8"  | 13 3/4"   | 9 7/8"    | 1"     | 1 1/8"  | 1 9/16" | 8"       |
| VKM 250 E | 9 13/16"           | 13 9/16"  | 15 3/8"  | 13 3/4"   | 9 3/16"   | 1"     | 1 1/4"  | 1 9/16" | 10"      |
| VKM 250   | 9 13/16"           | 13 9/16"  | 15 3/8"  | 13 3/4"   | 9 3/16"   | 1"     | 1 1/4"  | 1 9/16" | 10"      |
| VKM 305 E | 12"                | 15 7/8"   | 17 3/4"  | 16 5/16"  | 10 1/4"   | 15/16" | 1 3/16" | 1 9/16" | 12"      |
| VKM 305   | 12"                | 15 7/8"   | 17 3/4"  | 16 5/16"  | 10 1/4"   | 15/16" | 1 3/16" | 1 9/16" | 12"      |
| VKMS 305  | 12"                | 15 7/8"   | 17 3/4"  | 16 5/16"  | 10 1/4"   | 15/16" | 1 3/16" | 1 9/16" | 12"      |
| VKM 355 Q | 13 7/8"            | 18 1/8"   | 20 9/16" | 20 9/16"  | 19 15/16" | 2 3/8" | 2 3/8"  | 2 3/4"  | 14"      |
| VKM 400   | 15 11/16"          | 22 7/16"  | 26 1/8"  | 24 15/16" | 22 7/16"  | 2 3/8" | 2 3/8"  | 2 3/4"  | 16"      |
| VKM 450   | 17 5/8"            | 23 15/16" | 27 9/16" | 26 3/8"   | 25 3/8"   | 2 3/8" | 2 3/8"  | 3 1/8"  | 18"      |


**PERFORMANCE**

| Model     | Duct Dia. | Energy Star Compliant | Current* [Amp] | Power* [W] | Sones | RPM* | Max. Ps | CFM vs. Static Pressure [Ps] in.W.G. |      |       |      |       |      |       |      |      |      |       | Volt/Hz |
|-----------|-----------|-----------------------|----------------|------------|-------|------|---------|--------------------------------------|------|-------|------|-------|------|-------|------|------|------|-------|---------|
|           |           |                       |                |            |       |      |         | 0"                                   | 0.1" | 0.2"  | 0.3" | 0.4"  | 0.5" | 0.6"  | 0.7" | 0.8" | 0.9" | 1"    |         |
| VKM 100   | 4"        | No                    | 0.90           | 108        | 2.5   | 3000 | 2.13    | 174                                  | 168  | 162   | 155  | 150   | 142  | 135   | 127  | 120  | 115  | 105   | 120/60  |
| VKM 125   | 5"        | No                    | 0.62           | 73         | 3.3   | 2663 | 1.83    | 228                                  | 214  | 200** | 185  | 174   | 160  | 146   | 136  | 124  | 113  | 102   | 120/60  |
| VKM 150 E | 6"        | Yes                   | 0.44           | 51         | 3.5   | 3036 | 1.475   | 254                                  | 239  | 225   | 208  | 191   | 175  | 160   | 145  | 130  | 110  | 93    | 120/60  |
| VKM 150   | 6"        | No                    | 1.28           | 150        | 4.3   | 2781 | 2.6     | 456                                  | 439  | 420** | 399  | 378   | 357  | 335   | 316  | 295  | 275  | 255   | 120/60  |
| VKM 200 E | 8"        | Yes                   | 0.75           | 89         | 4.2   | 3288 | 1.925   | 445                                  | 425  | 405   | 388  | 368   | 350  | 330   | 311  | 292  | 272  | 252   | 120/60  |
| VKM 200   | 8"        | No                    | 1.72           | 201        | 4.6   | 2335 | 2.8     | 599                                  | 566  | 530** | 482  | 440** | 405  | 372** | 337  | 310  | 284  | 261** | 120/60  |
| VKMS 200  | 8"        | No                    | 2.14           | 240        | 4.7   | 2745 | 2.80    | 657                                  | 643  | 632   | 617  | 605   | 590  | 575   | 559  | 540  | 520  | 498   | 120/60  |
| VKM 250 E | 10"       | Yes                   | 1.20           | 144        | 4.7   | 2832 | 2.375   | 680                                  | 662  | 631   | 601  | 580   | 535  | 492   | 447  | 405  | 362  | 323   | 120/60  |
| VKM 250   | 10"       | No                    | 1.98           | 229        | 4.6   | 2374 | 2.9     | 687                                  | 648  | 610** | 566  | 525** | 477  | 441** | 405  | 375  | 338  | 315** | 120/60  |
| VKM 305 E | 12"       | Yes                   | 1.22           | 146        | 4.9   | 2772 | 2.30    | 695                                  | 660  | 625   | 597  | 565   | 520  | 470   | 423  | 385  | 350  | 315   | 120/60  |
| VKM 305   | 12"       | No                    | 1.91           | 219        | 5.7   | 2647 | 3.0     | 740                                  | 712  | 680** | 642  | 606** | 562  | 521** | 474  | 435  | 400  | 371** | 120/60  |
| VKMS 305  | 12"       | No                    | 2.42           | 272        | 6.1   | 2320 | 3.65    | 985                                  | 930  | 890   | 845  | 810   | 773  | 735   | 700  | 660  | 627  | 594   | 120/60  |
| VKM 355 Q | 14"       | No                    | 1.3            | 297        | 8     | 1620 | 2.05    | 1390                                 | 1320 | 1248  | 1201 | 1177  | 1118 | 1001  | 765  | 530  | 333  | 175   | 220/60  |
| VKM 400   | 16"       | No                    | 3.05           | 673        | 9.8   | 1585 | 2.81    | 2071                                 | 2050 | 1989  | 1972 | 1913  | 1854 | 1700  | 1589 | 1413 | 1236 | 294   | 220/60  |
| VKM 450   | 18"       | No                    | 5.4            | 1250       | 12    | 1560 | 2.9     | 3716                                 | 3630 | 3531  | 3470 | 3414  | 3296 | 3060  | 2825 | 2578 | 2295 | 706   | 220/60  |

\* The parameters RPM, Watts, Amps are indicated at 0.2 in WG static pressure.  
 \*\*HVI rated.

**SPECIFICATION**

Voltage: 120 V/60 Hz, 220 V/60 Hz

Motor: Single-phase external rotor motor with backward curved centrifugal impellers

Duct compatibility: 4", 5", 6", 8", 10", 12", 14", 16", 18"

Airflow capacity: up to 3716 CFM

Sones: 2.5-12

Power consumption: 51 – 1250 W

Suitable for working airstreams up to 105 °F

IPX4 protection

Thermal overload protection

Mounting bracket and power cord included