

## VKP 125

CENTRIFUGAL IN-LINE FANS



VKP fans are specially designed for extract and input ventilation and are perfect air movement solution for areas with tight spaces. It provides small to medium airflow. VKP series is suitable for general purpose ventilation and dryer exhaust application. The fans offer a variety of choices of extract and input ventilation options and enables ducting from multiple sources.

### EXCELLENT AERODYNAMICS & LOW NOISE

The external rotor motor on ball bearings and the backward curved, balanced impeller is suitable for high pressure application, prevent vibration and assure quiet operation.

### HOUSING

The fan's housing is made of galvanized steel.

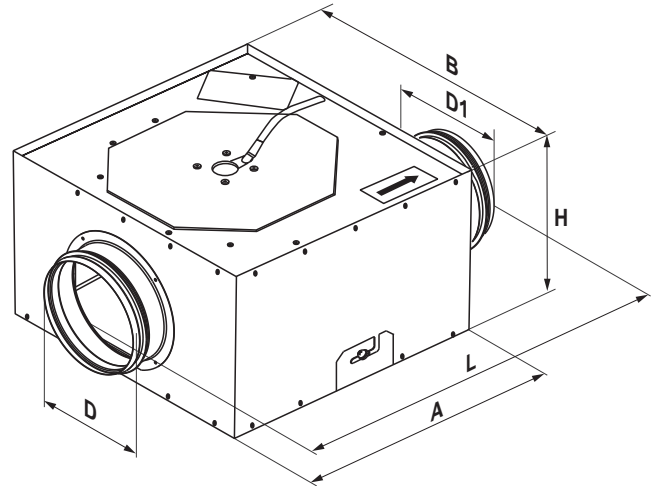
### INSTALLATION BENEFITS

Suitable for low ceilings and tight spaces. Hinges provide quick and fast access to the motor.



**DIMENSIONS**

Model	Measurements [in.]					
	Ø D	Ø D1	A	L	B	H
VKP 125	5"	5"	13"	17"	13 <sup>17/64"</sup>	7 <sup>31/64"</sup>


**PERFORMANCE**

Model	Watts*	Amps*	CFM vs. Static Pressure (Ps) in WG											Max. Ps	Volts / Hz
			0"	0.1"	0.2"	0.3"	0.4"	0.5"	0.6"	0.7"	0.8"	0.9"	1"		
VKP 125	66	0.54	220	214	208	202	196	190	184	178	172	160	150	2.4	120 / 60

Performance certified is for installation type D – Ducted inlet, Ducted outlet. Speed (RPM) shown is nominal. Performance is based on actual speed of test. Use this statement only when nominal speed is catalogued. Performance ratings do not include the effects of appurtenances (accessories).

**SPECIFICATION**

Voltage: 120 V, 60 Hz

Motor: Single-phase asynchronous motor

Duct compatibility: Ø 5"

Airflow capacity: up to 220 CFM

Power consumption: 66 W

Suitable for working airstreams 13-140 °F

IPX4 protection

Thermal overload protection